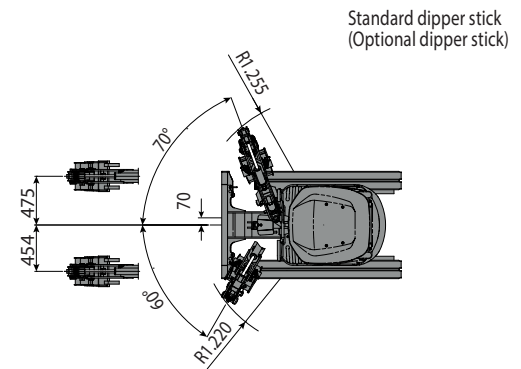
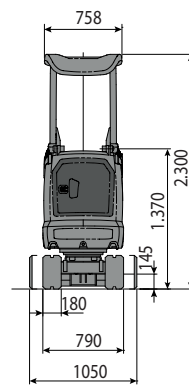
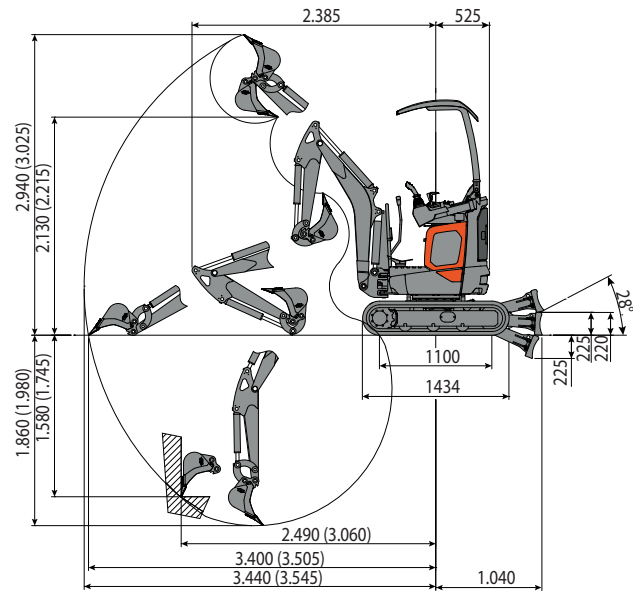


## TECHNICALS SPECIFICATIONS

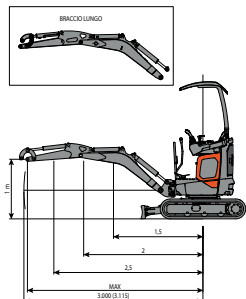
Operating weight with canopy	kg	1.160
Operating weight with canopy and ABS roof	kg	1.185
Travelling speed	km/h	1 <sup>a</sup> : 0 ÷ 1,8 / 2 <sup>a</sup> : 0 ÷ 3,8
Slew speed	rpm	9,5
<b>ENGINE</b>		
Type	KUBOTA D722 EPA Tier 4	
Max Power (2.300 rpm)	kW - HP	10,2 - 13,7
Displacement	cc	719
Number of cylinders	n°	3
Cooling	water	
Consumption	lt/h	1,8
Alternator	V (A)	12 (40)
Battery	V (Ah)	12 (45)
<b>HYDRAULIC SYSTEM</b>		
Pump type	n°2 gear pumps	
Pump displacement	cc	5,5 + 5,5
Pump capacity	lt/min	26
Max. circuit calibration pressure	bar	170
Auxiliary system:	Max capacity	lt/min 26
	Max pressure	bar 180
<b>PERFORMANCES</b>		
Max digging depth standard arm (optional arm)	mm	1.860 (1.980)
Max dumping height standard arm (optional arm)	mm	2.130 (2.215)
Bucket breaking force (standard arm) ISO 6015	daN	1.150
Arm breaking force (standard arm) ISO 6015	daN	690
Traction force	daN	1.000
Ground bearing pressure with folding bar	kg/cm <sup>2</sup>	0,29(0,30)
Max slope	60% - 30°	
<b>DIMENSIONS</b>		
Maximum width	mm	790 - 1.050
Total height	mm	2.300
Rear rotation radius	mm	525
Digging arm length std (optional)	mm	900 (1.050)
Tracks width	mm	180
Rollers number (for each side)	n°	3
<b>FILLINGS</b>		
Fuel tank	lt	14,5
Hydraulic oil tank	lt	9,5
Hydraulic circuit capacity	lt	15
Cooling system capacity	lt	6
Engine oil	lt	1,8
<b>CONTROLS</b>		
Boom, dipper stick, bucket and turret swing	2 pilot joysticks	
Track movements (included counter rotation)	2 pilot levers	
Dozer blade	pilot lever	
Auxiliary circuit (simple or double effect)	electroproportional switch on right joystick	
Boom swing	electroproportional switch on left joystick	

# ES 12 ZT<sup>4</sup>



Standard dipper stick  
(Optional dipper stick)

<b>LIFTING CAPACITY</b>				
Opening arm from the rotation's center (m)				
Lifting capacity (kg) at 1.0 m height				
	1,5	2	2,5	MAX
Frontal and lowered dozer blade	325	235	175	138
Frontal and lifted dozer blade	325	235	175	138
Lateral, open undercarriage	340	230	124	79



The lifting capacity is based on the ISO 10567 and it does not exceed more than the 75% of static tipping load or more than the 87% of the hydraulic lifting capacity of the machine.

**EUROCOMACH**

Sampierana S.p.A.

47021 S.Piero in Bagno (FC)

via Leonardo da Vinci, 40

Tel +39 0543.904211

Fax +39 0543.918520

www.eurocomach.com